

KWZ-Ok5, Edition 1-2023

WALL OPENING HEIGHT Ho [mm]	WALL OPENING WIDTH So [mm]																						
	750 - 1 000	1 001 - 1 500	1 501 - 2 000	2 001 - 2 500	2 501 - 3 000	3 001 - 3 500	3 501 - 4 000	4 001 - 4 500	4 501 - 5 000	5 001 - 5 500	5 501 - 6 000	6 001 - 6 500	6 501 - 7 000	7 001 - 7 500	7 501 - 8 000	8 001 - 8 500	8 501 - 9 000	9 001 - 9 500	9 501 - 10 000	10 001 - 10 500	10 501 - 11 000	11 001 - 11 500	11 501 - 12 000
9751 - 10 000	2	2	3	3	5	5	5	5	6	6	6	6	6	7	7	7	7	7	7	7	7	7	7
9 501 - 9 750	2	2	3	3	5	5	5	5	6	6	6	6	6	7	7	7	7	7	7	7	7	7	7
9 251 - 9 500	2	2	3	3	5	5	5	5	6	6	6	6	6	7	7	7	7	7	7	7	7	7	7
9 001 - 9 250	1	2	2	3	3	5	5	5	5	6	6	6	6	7	7	7	7	7	7	7	7	7	7
8 751 - 9 000	1	2	2	3	3	5	5	5	5	6	6	6	6	7	7	7	7	7	7	7	7	7	7
8 851 - 8 750	1	2	2	3	3	5	5	5	5	6	6	6	6	7	7	7	7	7	7	7	7	7	7
8 251 - 8 500	1	2	2	3	3	4	4	5	5	5	6	6	6	6	7	7	7	7	7	7	7	7	7
8 001 - 8 250	1	2	2	3	3	4	4	5	5	5	6	6	6	6	7	7	7	7	7	7	7	7	7
7 751 - 8 000	1	2	2	3	3	4	4	5	5	5	6	6	6	6	7	7	7	7	7	7	7	7	7
7 501 - 7 750	1	2	2	3	3	4	4	5	5	5	6	6	6	6	7	7	7	7	7	7	7	7	7
7 251 - 7 500	1	2	2	3	3	4	4	5	5	5	6	6	6	6	7	7	7	7	7	7	7	7	7
7 001 - 7 250	1	2	2	3	3	3	4	5	5	5	6	6	6	6	7	7	7	7	7	7	7	7	7
6 751 - 7 000	1	2	2	3	3	3	4	4	5	5	6	6	6	6	7	7	7	7	7	7	7	7	7
6 501 - 6 750	1	1	2	2	2	3	3	3	4	5	6	6	6	6	7	7	7	7	7	7	7	7	7
6 251 - 6 500	1	1	2	2	2	3	3	3	4	4	5	6	6	6	6	7	7	7	7	7	7	7	7
6 001 - 6 250	1	1	2	2	2	3	3	3	4	4	5	6	6	6	6	7	7	7	7	7	7	7	7
5 751 - 6 000	1	1	2	2	2	3	3	3	4	4	5	6	6	6	6	7	7	7	7	7	7	7	7
5 501 - 5 750	1	1	2	2	2	3	3	3	4	4	5	6	6	6	6	7	7	7	7	7	7	7	7
5 251 - 5 500	1	1	2	2	2	3	3	3	4	4	5	6	6	6	6	7	7	7	7	7	7	7	7
5 001 - 5 250	1	1	2	2	2	3	3	3	4	4	5	6	6	6	6	7	7	7	7	7	7	7	7
4 751 - 5 000	1	1	2	2	2	3	3	3	4	4	5	6	6	6	6	7	7	7	7	7	7	7	7
4 501 - 4 750	1	1	2	2	2	3	3	3	4	4	5	6	6	6	6	7	7	7	7	7	7	7	7
4 251 - 4 500	1	1	2	2	2	3	3	3	4	4	5	6	6	6	6	7	7	7	7	7	7	7	7
4 001 - 4 250	1	1	2	2	2	3	3	3	4	4	5	6	6	6	6	7	7	7	7	7	7	7	7
3 751 - 4 000	1	1	2	2	2	3	3	3	4	4	5	6	6	6	6	7	7	7	7	7	7	7	7
3 501 - 3 750	1	1	2	2	2	3	3	3	4	4	5	6	6	6	6	7	7	7	7	7	7	7	7
3 251 - 3 500	1	1	2	2	2	3	3	3	4	4	5	6	6	6	6	7	7	7	7	7	7	7	7
3 001 - 3 250	1	1	2	2	2	3	3	3	4	4	5	6	6	6	6	7	7	7	7	7	7	7	7
2 751 - 3 000	1	1	2	2	2	3	3	3	4	4	5	6	6	6	6	7	7	7	7	7	7	7	7
2 501 - 2 750	1	1	2	2	2	3	3	3	4	4	5	6	6	6	6	7	7	7	7	7	7	7	7
2 251 - 2 500	1	1	2	2	2	3	3	3	4	4	5	6	6	6	6	7	7	7	7	7	7	7	7
2 001 - 2 250	1	1	2	2	2	3	3	3	4	4	5	6	6	6	6	7	7	7	7	7	7	7	7
1 751 - 2 000	1	1	2	2	2	3	3	3	4	4	5	6	6	6	6	7	7	7	7	7	7	7	7
1 501 - 1 750	1	1	2	2	2	3	3	3	4	4	5	6	6	6	6	7	7	7	7	7	7	7	7
1 251 - 1 500	1	1	2	2	2	3	3	3	4	4	5	6	6	6	6	7	7	7	7	7	7	7	7
1 001 - 1 250	1	1	2	2	2	3	3	3	4	4	5	6	6	6	6	7	7	7	7	7	7	7	7
500 - 1 000	1	1	2	2	2	3	3	3	4	4	5	6	6	6	6	7	7	7	7	7	7	7	7

DIAGRAM LEGEND

HOUSING DIMENSIONS
Sk x Hk [mm]

- 750 x 775
- 700x 725
- 650 x 675
- 600 x 625
- 550 x 675
- 500 x 525
- 450 x 475
- 400 x 425
- 350 x 375
- 300 x 325

DRIVE TYPE

- 1 VIC-0122 [Gr230/24/2]
- 2 VIC-0123 [Gr230/24/2]
- 3 VIC-0124 [Gr230/24/2]
- 4 VIC-0461 [Gr230/24/4]
- 5 VIC-0242 [ZGr400/2]
- 6 VIC-0243 [ZGr400/3]
- 7 VIC-0244 [ZGr400/5]

**MAŁKOWSKI
MARTECH**

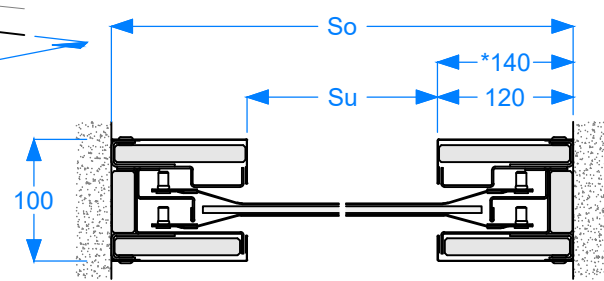
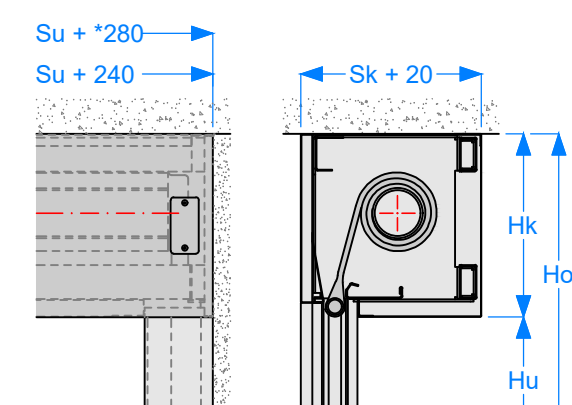
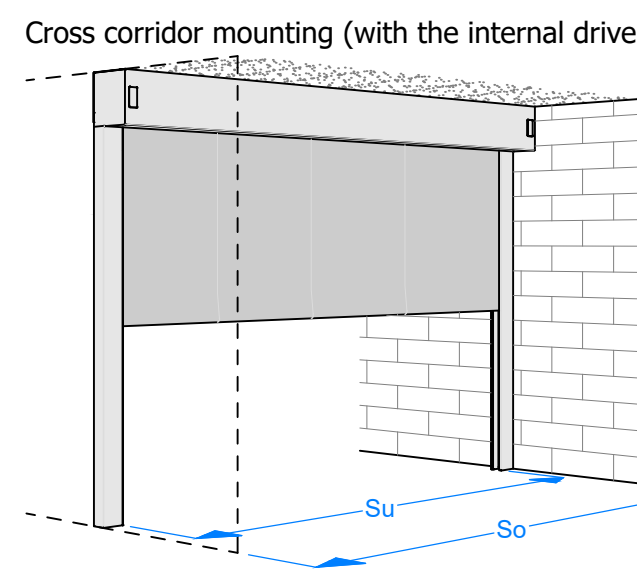
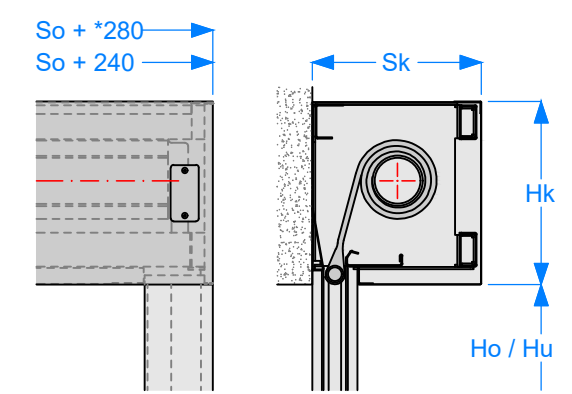
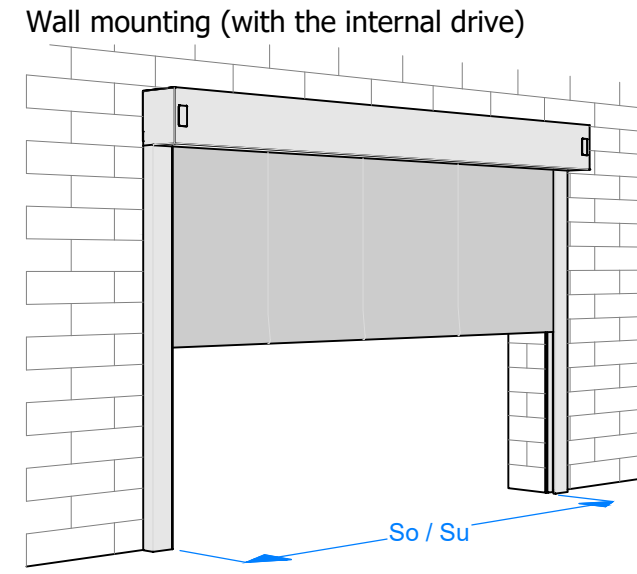
**FIRE PROTECTION ROLLING DOOR
MARC-Ok + EI₂60**

gravity operation

Number
KWZ-Ok5

Edition
1-2023

ASSA ABLOY **INSTALLATION CONDITIONS SHEET**



MARKING OF DRIVES

- power supply before the main switch (guaranteed) necessary to close the gate
- Z - external drive
- P - fire resistant cables must be connected to the connection
- Gr - gravity operated drive
- 230 - the value of the voltage applied to the control panel [V]
- /4 - minimum connection value [A]

NOTES:

- *for gates from 6000 x 2000 (Su x Hu) the width of the guide is 140 mm;
- fire protection rolling door type MARC-Ok in the basic version is manufactured with the declared use category **C1** (number of cycles 500 - 9 999 according to EN 16034:2014-11) and resistance to wind load class **1** (according to PN-EN 12424:2002), at the customer's request, the MARC-Ok rolling door can be manufactured with the declared use category **C2** (number of cycles 10 000 - 49 999) and resistance to wind load class **2**;

All dimensions are in millimeters [mm]

Notations used in the drawings:

- So - structural / wall opening width
- Su - clear opening width
- Ho - structural / wall opening height
- Hu - clear opening height
- Sk - housing width
- Hk - housing height

NOTICE

In the case of the cross corridor mounting, there should be an installation clearance of 10 mm per side.

This elaboration is an intellectual property of MAŁKOWSKI-MARTECH S.A. and is protected by copyrights in accordance with the Act on copyrights and related rights dated 4 February 1994 (Journal of Laws [Dz.U.] from the year 2021, No. 1062). Copying, reproduction and use in part or in whole without the consent of the owner is prohibited. The drawings are for illustration only. We reserve the right to make design and material changes to the products.